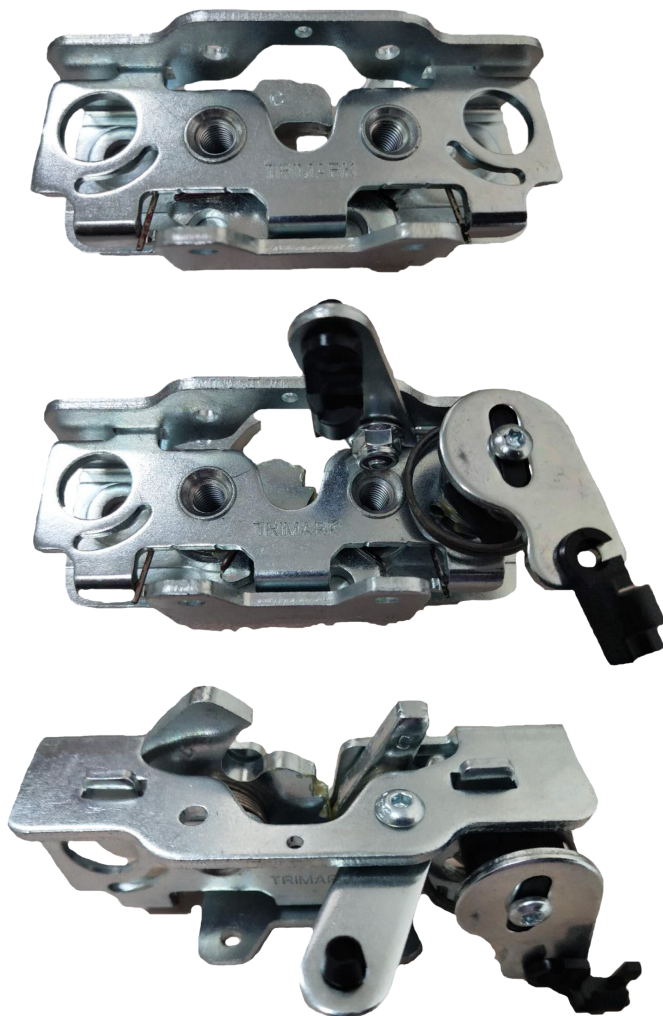


050-5911 8mm Single Rotary Latch with Single Position



050-5911 8毫米单转子单锁位门锁



TriMark's newest addition to its AccessX Series Product Line is this versatile 8mm Single Rotor Latch with Single Position. Featuring a robust modular design that offers extensive actuation locations and options providing application flexibility in a compact design at a very cost-effective price.

特利马克公司通达X系列产品的最新产品是这款多功能8毫米单转子单锁位门锁。强大的模块化设计，可应用于更多位置触动产品，设计紧凑，应用灵活，产品性价比很高。

DESIGNED FOR:

- Compartment door and door hold-open applications for off-highway vehicles
- Interior door thickness of 45-57mm (1.77-2.25"). Depending on the actuator type and location the overall height could be greater. Please contact TriMark for specific details.
- Medium to heavy duty doors of 23-81 kg (50-175 lbs.) with maximum door seal pressure of 36 kg (80 lbs.)

设计应用:

- 非公路车辆的车厢门和车门保持固定器
- 内门厚度为45-57毫米（1.77-2.25"）。根据触动器类型和位置，总高度可调节到更大。更专业信息请联系特利马克
- 中型到重型门23-81公斤（50-175 磅），最大门密封压力为36 公斤（80 磅）



TriMark. Interactive. Product. Selector

Global Locations:

TriMark Corporation
500 Bailey Avenue
P.O. Box 350
New Hampton, Iowa 50659
United States
Tel: 641-394-3188
Fax: 641-394-2392
1-800-447-0343
www.trimarkcorp.com

TriMark Europe
Cedar Court
Walker road
Bardon Hill
Coalville LE67 1TU
United Kingdom
Tel: +44(0)1530 512460
Fax: +44(0)1530 512461
www.trimarkeu.com

TriMark (Xuzhou)
Building A5 Jingwu Road
Xuzhou Economic
Development Zone
Xuzhou, Jiangsu
221004 PR China
Tel: +86 516 8773 0018
Fax: +86 516 8773 0058
www.trimarkcn.com



TriMark



TriMark Corporation

FEATURES/BENEFITS:

- Modular case construction is preconfigured with multiple actuation points on the front case allowing top/bottom actuation including stacked actuator levers providing the most configurable rotary door latch ever offered
- Compact size and shape allows maximum use of door space and minimizes visibility issues without compromising strength and robustness
- Rotor provides for vertical clearance of strike allowing for door sag, misalignment and ease of installation
- 8mm diameter automotive style hoop-type strike minimizes clothing snag hazard

特性/优点:

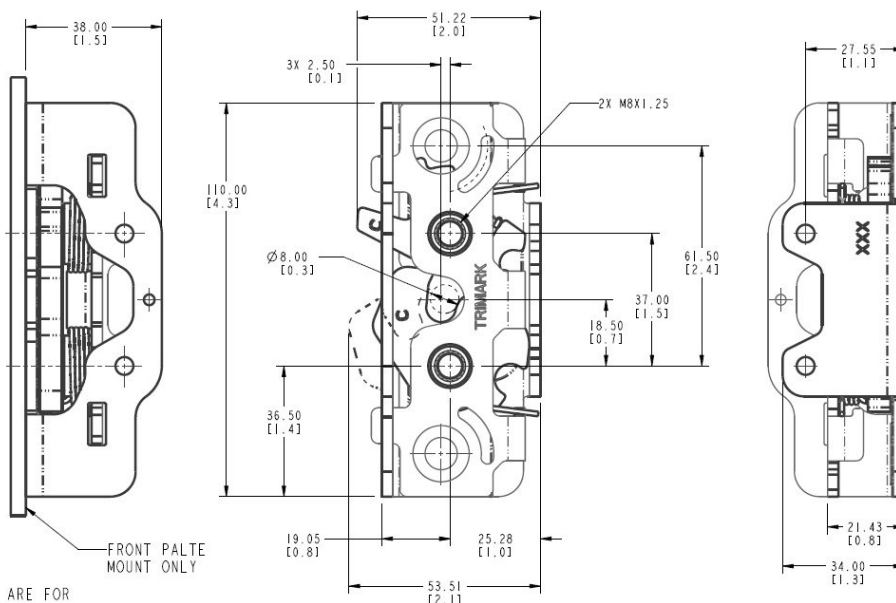
- 模块化结构预先配置了多个触动点，允许在上盖板顶部或底部触动，使用多个释放杆是适用配置最多的一款可旋转门锁。
- 外形紧凑，可最大限度地利用车门空间，并在不影响强度和稳定性的情况下将门内不可视范围最小化。
- 转子垂直方向预留碰撞间隙，在一定范围内允许门下垂，移位，安装简单
- 直径8毫米的汽车式撞环，最大限度地减少了衣服被卡住的危险

AVAILABLE:

- In left or right-hand configurations (right hand shown)
- Versions are available to allow direct actuation from exterior push button or pull handles and interior releases providing a simple, low cost and compact application
- Platform allows for reuse of TriMark's extensive selection of existing actuation levers reducing application engineering and tooling requirements
- Several actuator return spring options
- Coaxial actuator mechanism for applications where it is desirable to provide additional support to the actuation levers
- Innovative barrel release for ease of use/installation
- Also available in a two position rotor version (050-5921) for personnel door applications

现有功能:

- 左右手型通用（图示为右手型）
- 本产品允许从外部按钮或拉手及内部开启直接触动，产品安装便捷，性价比高，外形应用紧凑
- 锁板允许借用TriMark现有的使用广泛的触动器，降低对工艺和工具的要求
- 多个触动回位弹簧可选
- 同轴触动装置，可用于需要为触动器提供额外触动杆的应用位置
- 创新的管状释放，使用安装更简单
- 同时有双锁位（050-5921）的人员进出门应用



ALL DIMENSION ARE FOR REFERENCE USE ONLY.

Base Latch Shown without Actuators

MATERIAL:

- Case halves: high strength steel
- Rotor and catch: heat treated steel
- Springs: non-corrosive stainless steel

材料:

- 前后盖板: 高强度钢
- 转子和擒纵板: 热处理钢
- 弹簧: 不锈钢

FINISH:

- Zinc plated, clear chromate steel components

表面处理:

- 镀锌、光亮铬酸盐处理钢质组件

INSTALLATION:

- Easy to install, mounts with (2) M8 x 1.25 class 8.8 or better fasteners
- Tighten to manufacturers' recommended torque value, however, do not exceed 26.0 N-m (230 in-lbs)

安装:

- 安装简便, 可使用 (2) 个 M8 x 1.25 8.8 级或更优紧固件进行安装
- 拧紧至制造商推荐的扭矩, 但不得超过 26.0 牛米 (230 英寸-磅)

USE WITH:

- TriMark 070-1000 8mm Hoop Strike or 070-5050 Adjustable Hoop Strike

配套使用:

- 特利马克 070-1000 8毫米撞环或者 070-5050 可调节撞环

Individual part dimensions are for reference only. Refer to individual part drawings for complete dimensions, specifications, and installation procedures. Engineering assistance and application drawings are available.

单个零件尺寸仅供参考. 有关完整的零件尺寸、标准和安装程序, 请参阅子件图纸. 咨询提供技术支持和产品应用.

070-1000 8mm Hoop Strike

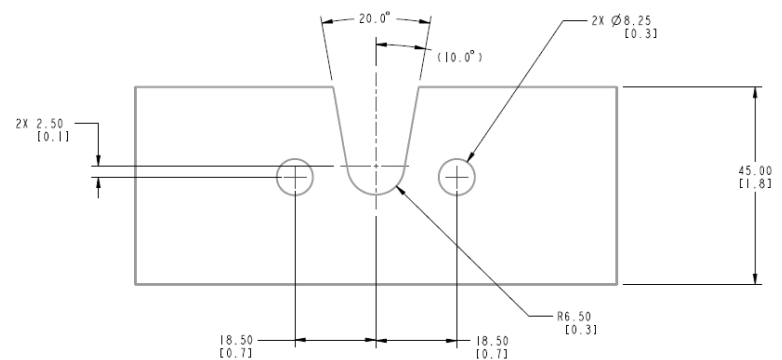
070-1000 8毫米撞环



070-5050 8mm Hoop Strike

070-5050 8毫米撞环

For more information visit
更多信息请访问:
www.trimarkcn.com



CUT OUT

Mounting Details



050-5911 8mm Single Rotary
Latch with Single Position

050-5911 8毫米单转子
单锁位门锁

AccessX Series

Global Access Innovations

The **AccessX Series** provides a variety of door hardware system solutions with good quality, consistent performance and comparable functionality at a very cost-effective price. TriMark being the market leader feels that offering the **AccessX Series** value line of compatible products with fewer performance features and options will fit a broader array of customer requirements for door systems and products. Special benefits for the **AccessX:**

- **Accessorize** your vehicle with TriMark's system matched AccessX Series complete door systems
- **Access Control**—includes the ability to provide a One Key—One Vehicle with TriMark's KeyOne™ Plus locking solution visit our website or contact us.
- **Accessory**—TriMark's worldwide warranty provides peace of mind regarding product quality
- **Accessible**—TriMark's **AccessX Series** line is available now at our manufacturing location in Xuzhou located in Jiangsu Province. For more information please visit our website or contact us.

该通达X系列将为您提供具有优秀品质，稳定性能，可比较功能，合理价位的各种门禁五金系统的解决方案。作为市场的领导者特利马克认为，具有兼容特性，较少性能特点及选择性的通达X系列产品将会满足更广范围内的客户对门禁系统及相关产品的需要。

- 为您的机车提供特利马克系统配套的通达X系列整套的门禁系统
- 门禁控制-使用特利马克的KeyOne Plus™锁定方案，包括支持整车--一把钥匙的能力。更多信息请访问我们的网站或联系我们。
- 配套—特利马克全球联保服务让您在产品使用过程中免去后顾之忧
- 便捷—特利马克的通达X系列在江苏省徐州市特利马克中国公司批量生产。更多信息请访问我们的网站或联系我们。